



## Product Range

### Universal Pipette Tips

Cat.No.	Volume (µL)	Package	Color	Sterile	/Pack	/Case
301016	10	Racked	Transparent	YES	96	4800
314026	10(Extra Long)	Racked	Transparent	YES	96	4800
302116	200	Racked	Yellow	YES	96	4800
305016	300	Racked	Yellow	YES	96	4800
303216	1000	Racked	Blue	YES	100	5000
304016	1000(Extra Long)	Racked	Blue	YES	96	4800
304916	1000(Extra Long, Graduated)	Racked	Blue	YES	96	4800

### Universal Pipette Tips

Cat.No.	Volume (µL)	Package	Color	Sterile	/Bulk	/Case
301006	10	Bagged	Transparent	NO	1000	10000
314001	10(Extra Long)	Bagged	Transparent	NO	1000	10000
302106	200	Bagged	Yellow	NO	1000	10000
305006	300	Bagged	Yellow	NO	1000	10000
303206	1000	Bagged	Blue	NO	1000	5000
304006	1000(Extra Long)	Bagged	Blue	NO	500	5000
304906	1000(Extra Long, Graduated)	Bagged	Blue	NO	500	5000

### Filter Pipette Tips

Cat.No.	Volume (µL)	Package	Color	Sterile	/Pack	/Case
311012	10	Racked	Transparent	YES	96	4800
314036	10 (Extra Long)	Racked	Transparent	YES	96	4800
310112	20	Racked	Yellow	YES	96	4800
315112	50	Racked	Yellow	YES	96	4800
316012	100	Racked	Yellow	YES	96	4800
312012	200	Racked	Yellow	YES	96	4800

ISO9001 & ISO13485 & ISO11137

313012	1000 (Extra Long)	Racked	Blue	YES	96	4800
313016	1000	Racked	Blue	YES	96	4800
313912	1000(Extra Long, Graduated)	Racked	Blue	YES	96	4800

### Filter Pipette Tips

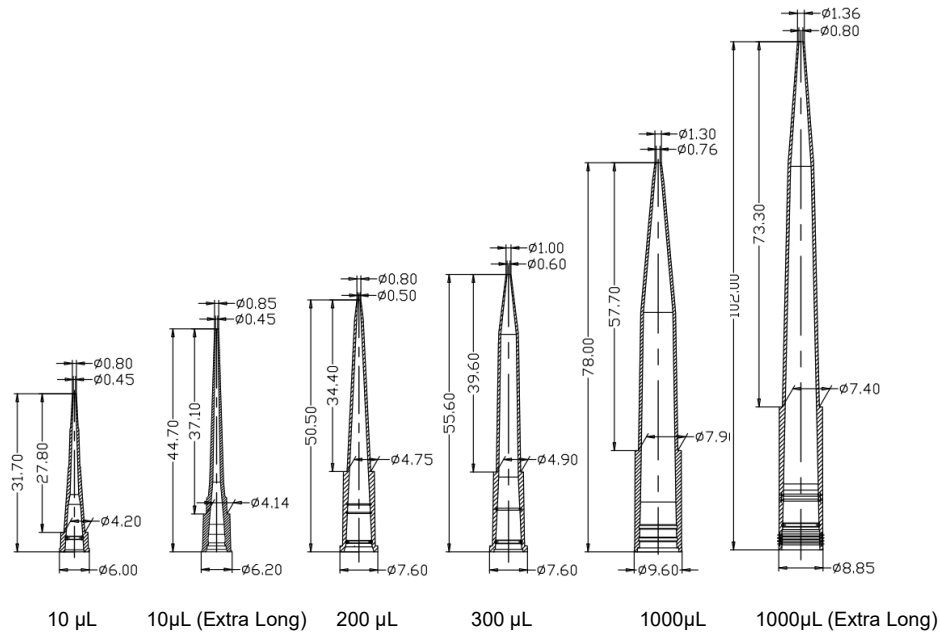
Cat.No.	Volume (µL)	Package	Color	Sterile	/Bulk	/Case
311001	10	Bagged	Transparent	NO	1000	10000
314031	10 (Extra Long)	Bagged	Transparent	NO	1000	10000
310101	20	Bagged	Yellow	NO	1000	10000
315101	50	Bagged	Yellow	NO	1000	10000
316001	100	Bagged	Yellow	NO	1000	10000
312001	200	Bagged	Yellow	NO	1000	10000
313001	1000 (Extra Long)	Bagged	Blue	NO	500	5000
303006	1000	Bagged	Blue	NO	1000	5000
313901	1000(Extra Long, Graduated)	Bagged	Blue	NO	500	5000

### Tip rack, Rack without tips

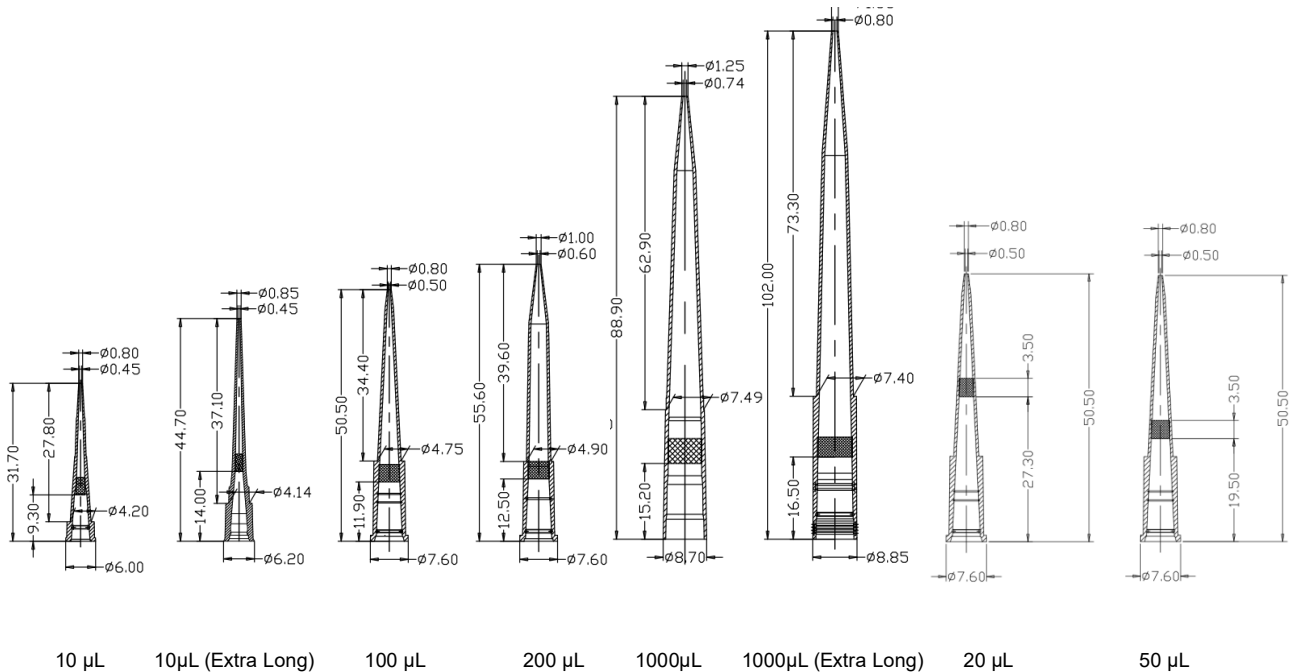
Cat.No.	Description		Color	/Pack	/Case
	Universal Pipette Tips	Filter Pipette Tips			
351001	10 µL	10 µL	Red	1	50
351601	10 µL(Extra Long)	10 µL(Extra Long)	Red	1	50
351101	200 µL	20/ 50/ 100 µL	Yellow	1	50
351401	300 µL	200 µL	Yellow	1	50
351201	1000 µL	/	Blue	1	50
351301	1000 µL(Extra Long)	1000 µL/ 1000 µL(Extra Long)	Blue	1	50

Technical Drawing

Universal Pipette Tips



Filter Universal Pipette Tips



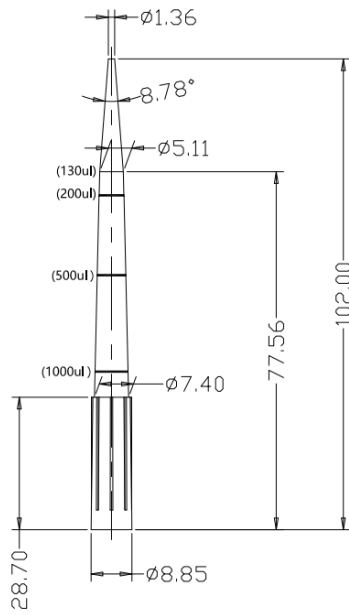
Head Office

Email: [info@cell-nest.com](mailto:info@cell-nest.com)  
 Online: [www.cell-nest.com](http://www.cell-nest.com)

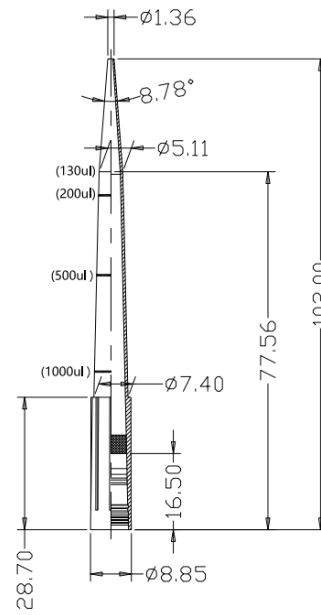
Oversea

NEST USA (New Jersey/ Phoenix)  
 NEST Scientific 株式会社 (Yokohama, Japan)  
 NEST Scientific Europe B.V (Netherlands)  
 NEST Scientific (MENA) FZE (Sharjah, United Arab Emirates)

Pipette Tips, Graduated, 1000µL (Extra Long)



Universal



Filter Universal

Head Office

Email: [info@cell-nest.com](mailto:info@cell-nest.com)  
 Online: [www.cell-nest.com](http://www.cell-nest.com)

Oversea

NEST USA (New Jersey/ Phoenix)  
 NEST Scientific 株式会社 (Yokohama, Japan)  
 NEST Scientific Europe B.V (Netherlands)  
 NEST Scientific (MENA) FZE (Sharjah, United Arab Emirates)