

Product Name:	Erlenmeyer Flask & High Efficiency Erlenmeyer Flask, Flat-bottom
Product Application:	<p>Ideal for shaker culture applications. Can be used for scale-up culture of suspension cells and bacteria. It is suitable for small scale research and industrial-scale production such as vaccines, proteins, monoclonal antibodies and biopharmaceuticals.</p> <p>Erlenmeyer flasks are available in two designs: Erlenmeyer flask & High-efficiency Erlenmeyer flask. Large-volume culture flasks allow cells to show strong viability with large expression ability. High-efficiency Erlenmeyer flask can improve the space utilization of the shaker and resulting in higher yields.</p>
Product Materials:	<p>PC/PETG (body) &PP (cap), meets <i>USP, Class VI standards.</i></p> <p>Handle: Nylon</p>
Product Shelf Life:	<p>Temperature range: stored at room temperature</p> <p>Shelf life: 5 Years after date of production (ensure package is in good)</p>
Sterilization:	<p>Yes.</p> <p>Sterilized by E-beam, Sterility Assurance Level: SAL=10⁻⁶. The product has been irradiated and dosimetrically released based on ANSI/AAMI/ISO 11137</p>
Pyrogens:	Non-Pyrogenic
RNase/DNase:	DNase/RNase free
BSE/TSE:	These products are deemed animal free.
Performance Testing:	<p>Each manufacturing lot is sampled and tested in accordance with standard operating procedures.</p> <p>Appearance inspection: qualified Sealing test: qualified</p> <p>Cell culture test: qualified Packaging inspection: qualified</p>
Features	<ol style="list-style-type: none"> 1. The imported medical-grade polycarbonate (PC) that meets with the requirements of ISO10993 USP<661> is chosen as the raw materials, which has high transparency, great impact resistance, oxidation resistance and can withstand a high temperature of up to 121°C. 2. The scale is clear and accurate when looked at from the outside, which facilitates the observation of the volume of culture medium. 3. Erlenmeyer flasks are available in two designs: Erlenmeyer flask & High-efficiency Erlenmeyer flask. Large-volume culture flasks allow cells to show strong viability with large expression ability. High-efficiency Erlenmeyer flask can improve the space utilization of the shaker and resulting in higher yields. 4. The handle design of the 5-L High-efficiency shake flask is easy to grip, and the high fit between the handle neck and the flask body can prevent slipping; the design for preventing

liquid residue at the mouth facilitates pouring; the bottom is flat, so that it is more stable on the sticky board of the shaker.

5. The overall designs of 2/3/5-L shake flasks are consistent and meet culture requirements of different customers. The designs of 2/3-L High-efficiency flasks are optimized with lengthened neck convenient for costumers to grip and can avoid that the hand of the costumer is too close to the flask mouth when pouring liquid or holding the flask. Meet the aseptic operating practices of pharmaceutical companies.

6. The vent cap is equipped with a 0.22-µm breathable film which is air-permeable and water-proof to efficiently prevent the passing of micro-organisms and contamination and to ensure gas exchange for good growth of cells or bacteria.

7. The bottom of the 3-L high-efficiency shake flask is optimized to reduce the space occupation, significantly improving the use rate of the shaker, reducing the R&D and production costs of customers.

8. The products have undergone the tightness test, drop test, high-temperature and high-voltage tests, flatness test, tensile test, endotoxin test, sterilization test, DNA/RNA enzyme-free tests and cell culture test, all the results of which meet the corresponding quality standards.

9. Sterile individual package, easy to use. Products certified sterile have been validated for the proper E-Beam radiation dosage based on ISO 11137. This validation procedure is verified to insure all sterilized product receives adequate doses of E-Beam. All lots are sterilized and certified for proper dosage levels. Products meet a minimum Sterility Assurance Level: (SAL) of 10⁻⁶.

10. New added 3L Wild-mouth High-efficiency Erlenmeyer Flask:

- The body is made of polycarbonate (PC), which meets the USP Class VI Standard, with high transparency, has strong impact resistance, oxidation resistance and can withstand a high temperature up to 121°C.
- The bottom diameter of the 3-L wild-mouth high-efficiency Erlenmeyer flask is consistent with that of the 3-L high-efficiency Erlenmeyer flask, and its mouth diameter adopts the neck size of the 5-L high-efficiency Erlenmeyer flask, which not only saves space usage, but also increase oxygen flux, so as to increase the efficiency of cell culture.
- There is a scale made by injection molding on the flask body to facilitate observing the filled liquid volume.
- The wide-mouth neck design is convenient for sampling and liquid filling.

Recommendations

1. The amount of culture medium should be well-controlled: around 30%-40% of the total volume of the flask.
2. For the control of the rotation speed during the cultivation process, it is recommended

that the starting rotation speed is 75-125 rpm which can be adjusted in practice.

3. Pay attention to the water level in a liquid-oscillating shaker, or the temperature in an air-oscillating shaker.

Product Range

Erlenmeyer flask

Cat. No.	Product Description	/Pack	/Case
781101	125mL Erlenmeyer Flask, Seal Cap, Flat-Bottom, PC Bottle	1	24
781111	125mL Erlenmeyer Flask, Vent Cap, Flat-Bottom, PC Bottle	1	24
782101	250mL Erlenmeyer Flask, Seal Cap, Flat-Bottom, PC Bottle	1	12
782111	250mL Erlenmeyer Flask, Vent Cap, Flat-Bottom, PC Bottle	1	12
783101	500mL Erlenmeyer Flask, Seal Cap, Flat-Bottom, PC Bottle	1	12
783111	500mL Erlenmeyer Flask, Vent Cap, Flat-Bottom, PC Bottle	1	12
784101	1000mL Erlenmeyer Flask, Seal Cap, Flat-Bottom, PC Bottle	1	6
784111	1000mL Erlenmeyer Flask, Vent Cap, Flat-Bottom, PC Bottle	1	6
781001	125mL Erlenmeyer Flask, Seal Cap, Flat-Bottom, PETG Bottle	1	24
781011	125mL Erlenmeyer Flask, Vent Cap, Flat-Bottom, PETG Bottle	1	24
782001	250mL Erlenmeyer Flask, Seal Cap, Flat-Bottom, PETG Bottle	1	12
782011	250mL Erlenmeyer Flask, Vent Cap, Flat-Bottom, PETG Bottle	1	12
783001	500mL Erlenmeyer Flask, Seal Cap, Flat-Bottom, PETG Bottle	1	12
783011	500mL Erlenmeyer Flask, Vent Cap, Flat-Bottom, PETG Bottle	1	12
784001	1000mL Erlenmeyer Flask, Seal Cap, Flat-Bottom, PETG Bottle	1	6
784011	1000mL Erlenmeyer Flask, Vent Cap, Flat-Bottom, PETG Bottle	1	6

Cat. No.	Volume (L)	Cap	Height (mm)	Neck diameter (mm)	Bottom diameter (mm)	/Pack	/Case
785001	2	Seal cap	285	47	162	1	6
785011	2	Vent cap	285	47	162	1	6
786001	3	Seal cap	253	62	230	1	4
786011	3	Vent cap	253	62	230	1	4

Head Office

Email: info@cell-nest.com
 Online: www.cell-nest.com

Oversea

NEST USA (New Jersey/ Phoenix)
 NEST Scientific 株式会社 (Yokohama, Japan)
 NEST Scientific Europe B.V (Netherlands)
 NEST Scientific (MENA) FZE (Sharjah, United Arab Emirates)

Cap for Erlenmeyer flask

Cat. No.	Product Description
785903	Plug Seal Cap for 2L Erlenmeyer Flasks, sterilized, 1/pk, 20/cs
785913	Vent Cap for 2L Erlenmeyer Flasks, sterilized, 1/pk, 20/cs
786903	Plug Seal Cap for 3L Erlenmeyer Flasks, sterilized, 1/pk, 20/cs
786913	Vent Cap for 3L Erlenmeyer Flasks, sterilized, 1/pk, 20/cs

High-efficiency Erlenmeyer flask

Cat. No.	Volume (L)	Cap	Height (mm)	Neck diameter (mm)	Bottom diameter (mm)	/Pack	/Case
785101	2	Seal cap	213.5	67	162	1	4
785111	2	Vent cap	213.5	67	162	1	4
786101	3	Seal cap	253.5	67	162	1	4
786111	3	Vent cap	253.5	67	162	1	4
787001	5	Seal cap	285.5	90	230	1	4
787011	5	Vent cap	285.5	90	230	1	4
786511(new)	3	Vent cap	285.5	90	162	1	4
786501(new)	3	Seal cap	285.5	90	162	1	4

Cap for High-efficiency Erlenmeyer flask

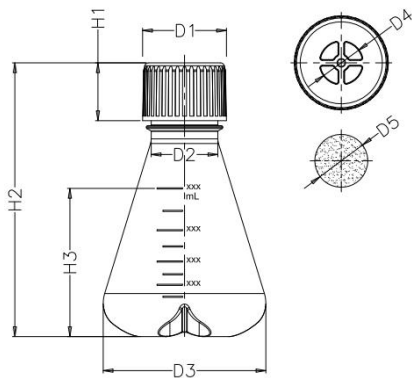
Cat. No.	Product Description
786903	Plug Seal Cap for 2&3L High-Efficient Erlenmeyer Flasks, sterilized, 1/pk, 20/cs
786913	Vent Cap for 2&3L High-Efficient Erlenmeyer Flasks, sterilized, 1/pk, 20/cs
787903	Plug Seal Cap for 3L Wild-mouth Efficient/5L Erlenmeyer Flasks, 1/pk, 20/cs
787913	Vent Cap for 3L Wild-mouth Efficient/5L Erlenmeyer Flasks, 1/pk, 20/cs

Technical Drawing

Head Office Email: info@cell-nest.com
 Online: www.cell-nest.com

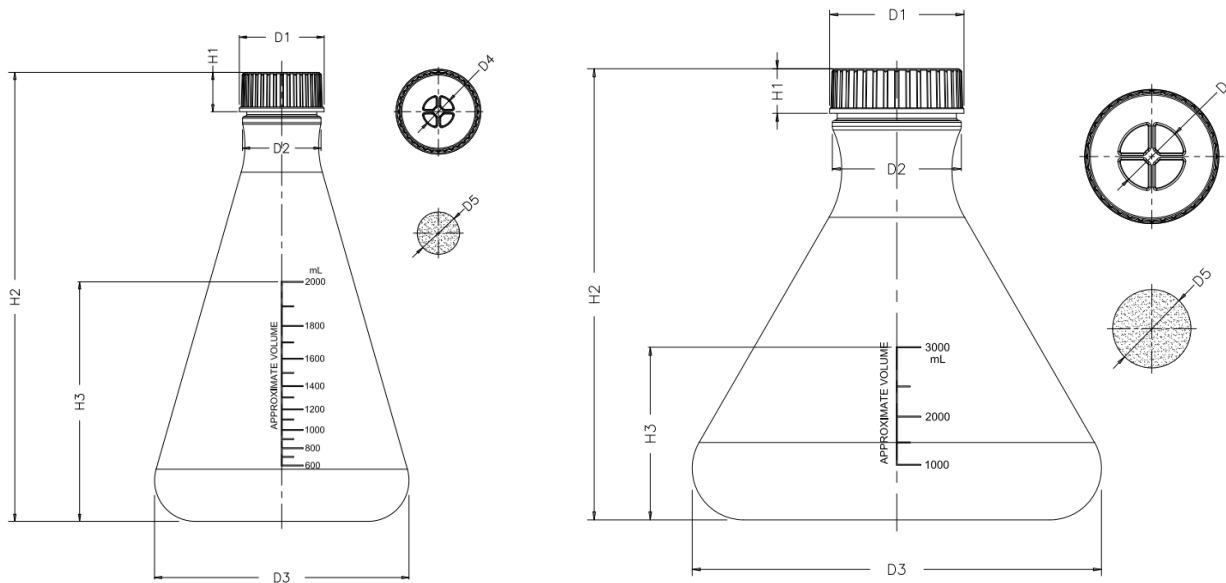
Oversea NEST USA (New Jersey/ Phoenix)
 NEST Scientific 株式会社 (Yokohama, Japan)
 NEST Scientific Europe B.V (Netherlands)
 NEST Scientific (MENA) FZE (Sharjah, United Arab Emirates)

125-1000mL Erlenmeyer flask:



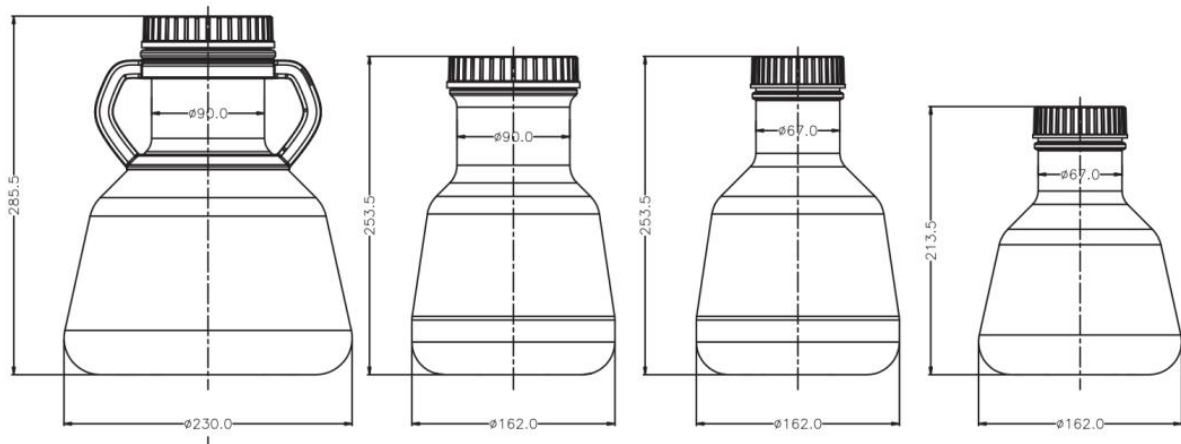
compatibility	Dimension							
	D1	D2	D3	D4	D5	H1	H2	H3
125mL (baffled)	38.00	29.30	65.80	14.85	22.50	29.50	115.00	59.20
250mL (baffled)	42.80	34.00	83.00	21.65	27.00	29.50	139.70	73.10
500mL (baffled)	48.00	39.00	101.00	21.65	27.00	29.50	179.00	104.50
1000mL (baffled)	48.00	39.00	128.00	21.65	27.00	29.50	207.70	142.40
125mL (flat)	38.00	29.30	65.80	14.85	22.50	29.50	113.00	57.20
250mL (flat)	42.80	34.00	83.00	21.65	27.00	29.50	139.70	73.10
500mL (flat)	48.00	39.00	101.00	21.65	27.00	29.50	178.00	103.50
1000mL (flat)	48.00	39.00	128.00	21.65	27.00	29.50	204.20	138.90

2L/3L Erlenmeyer flask:



Compatibility	Dimension							
	D1	D2	D3	D4	D5	H1	H2	H3
2L	54.00	50.00	162.00	19.00	27.00	25.00	285.50	152.30
3L	75.50	72.50	230.00	36.00	44.00	25.00	253.50	97.00

5L / 3L wild-mouth / 3L / 2L High-efficiency Erlenmeyer flask:



Head Office

Email: info@cell-nest.com
 Online: www.cell-nest.com

Oversea

NEST USA (New Jersey/ Phoenix)
 NEST Scientific 株式会社 (Yokohama, Japan)
 NEST Scientific Europe B.V (Netherlands)
 NEST Scientific (MENA) FZE (Sharjah, United Arab Emirates)