

|                             |  |
|-----------------------------|--|
| <b>Product Name:</b>        | <b>Cell Culture Dish</b>   |
| <b>Product Application:</b> | <b>NEST cell culture dishes are ideal for all types of culturing where microscopic observation is required. Numeric marks on the bottom of each dish allow users to identify the location of cells.</b>  |
| <b>Product Materials:</b>   | <b>Polystyrene (PS)</b><br>Meets <i>USP, Class VI standards</i>  |
| <b>Product Shelf Life:</b>  | Temperature range: stored at room temperature<br><br>Shelf life: 3 Years after date of production ( ensure package is in good )  |
| <b>Sterilization:</b>       | <b>Yes.</b><br><br>Sterilized by E-beam, Sterility Assurance Level: SAL=10 <sup>-6</sup> . The product has been irradiated and dosimetrically released based on ANSI/AAMI/ISO 11137  |
| <b>Pyrogens:</b>            | Non-Pyrogenic  |
| <b>RNase/DNase:</b>         | DNase/RNase free   |
| <b>BSE/TSE:</b>             | These products are deemed animal free.   |
| <b>Performance Testing:</b> | Each manufacturing lot is sampled and tested in accordance with standard operating procedures.<br>Appearance inspection: qualified                      Flatness test: qualified<br>Hydrophilic test: qualified                                      Cell culture test: qualified<br>Packaging inspection: qualified |
| <b>Features</b>             | 1. High clarity polystyrene.<br>2. Flat transparent surface for distortion-free observation.<br>3. TC treated: Vacuum Plasma tissue culture treatment, excellent cell adherence.<br>4. Stackable for easy storage and handling   |

## Product Range

| Cat. No. | Spec                    |             | Cell Growth Area (cm <sup>2</sup> ) | Recommended Medium Volume (mL) | /Pack | /Case |
|----------|-------------------------|-------------|-------------------------------------|--------------------------------|-------|-------|
|          | Type                    | Height (mm) |                                     |                                |       |       |
| 706001   | 35                      | 12          | 8.5                                 | 1.8-2.7                        | 20    | 500   |
| 706201   | 35 (With Griping Ring)  | 12          | 8.5                                 | 1.8-2.7                        | 20    | 500   |
| 705001   | 60                      | 15          | 22.9                                | 4.2-6.3                        | 20    | 500   |
| 705201   | 60 (With Griping Ring)  | 15          | 22.9                                | 4.2-6.3                        | 20    | 500   |
| 704004   | 100                     | 20          | 57.6                                | 11-16.5                        | 5     | 300   |
| 704002   | 100                     | 20          | 57.6                                | 11-16.5                        | 10    | 300   |
| 704001   | 100                     | 20          | 57.6                                | 11-16.5                        | 20    | 300   |
| 704202   | 100 (With Griping Ring) | 20          | 59.3                                | 11-16.5                        | 10    | 300   |
| 704201   | 100 (With Griping Ring) | 20          | 59.3                                | 11-16.5                        | 20    | 300   |
| 715001   | 150                     | 25          | 150.1                               | 30.4-45.6                      | 5     | 100   |

## Head Office

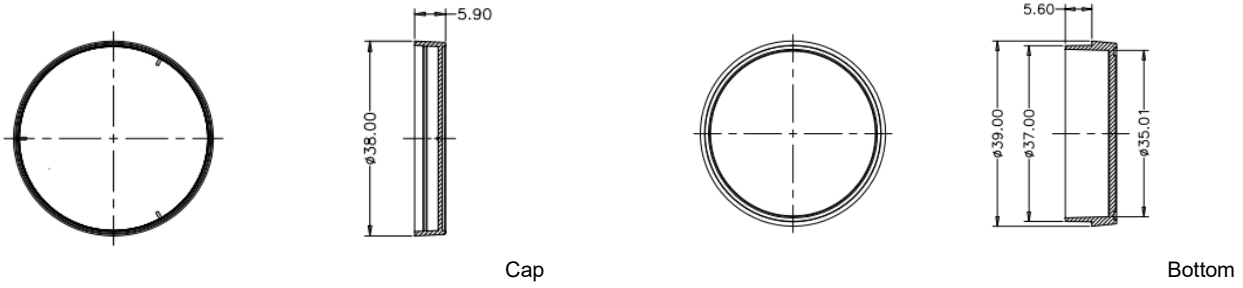
Email: [info@cell-nest.com](mailto:info@cell-nest.com)  
 Online: [www.cell-nest.com](http://www.cell-nest.com)

## Oversea

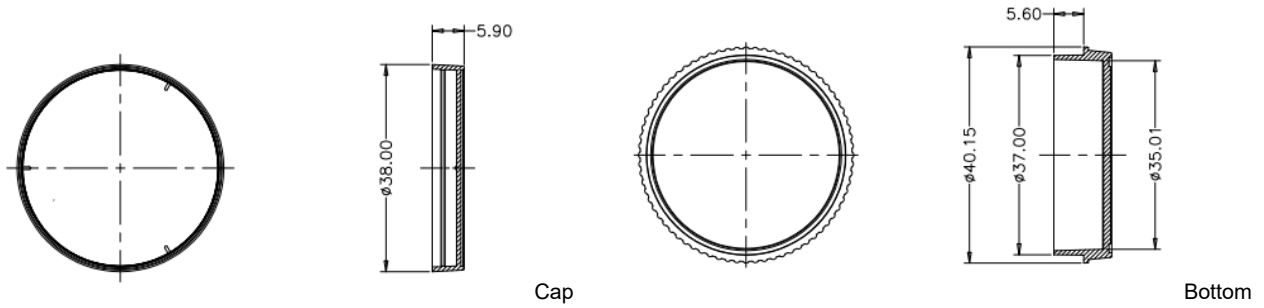
NEST USA (New Jersey/ Phoenix)  
 NEST Scientific 株式会社 (Yokohama, Japan)  
 NEST Scientific Europe B.V (Netherlands)  
 NEST Scientific (MENA) FZE (Sharjah, United Arab Emirates)

Technical Drawing

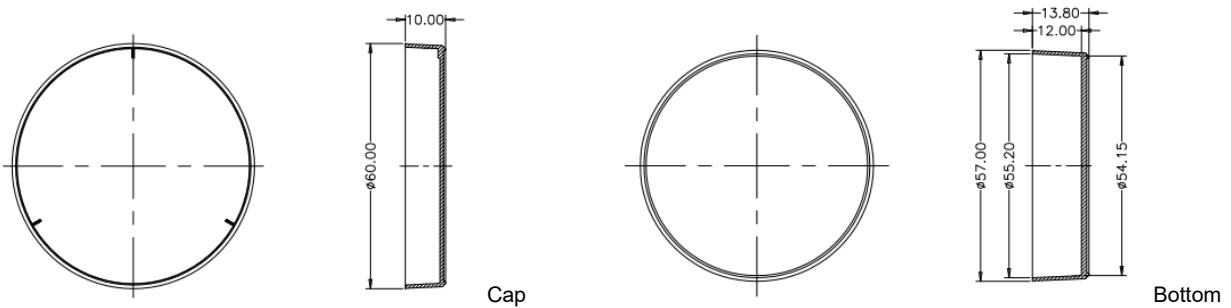
35mm cell culture dish



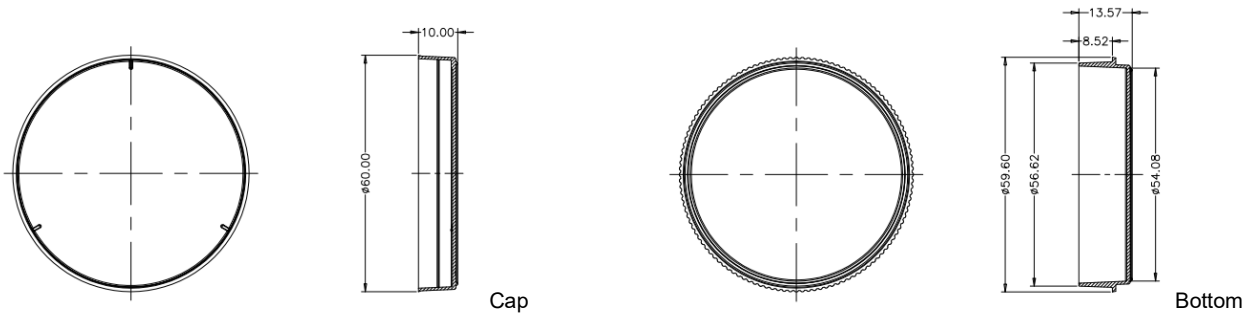
35mm cell culture dish With Gripping Ring



60mm cell culture dish



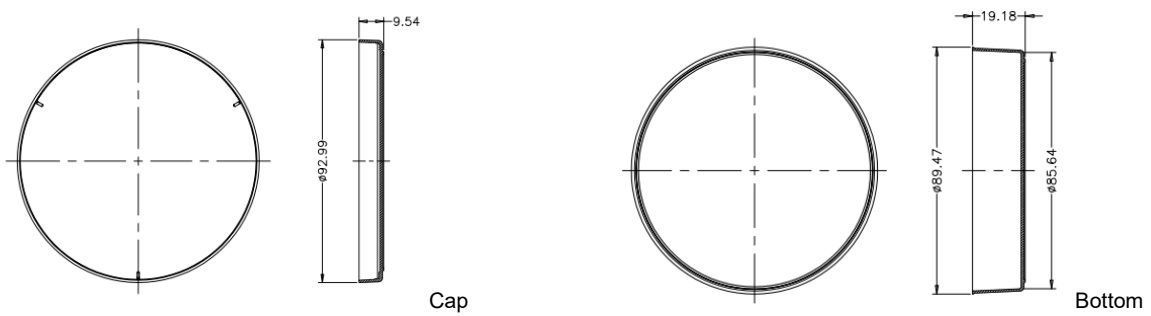
**60mm cell culture dish with gripping ring**



Cap

Bottom

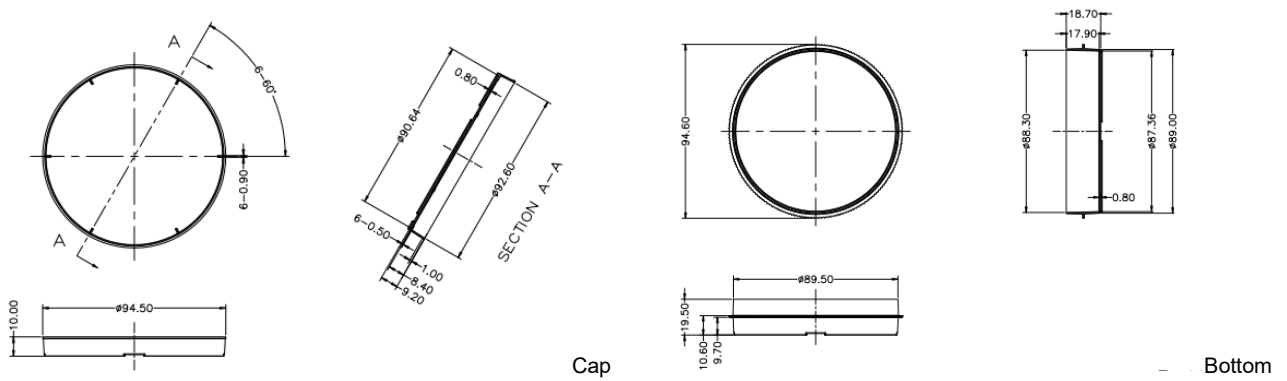
**100mm cell culture dish**



Cap

Bottom

**100mm cell culture dish with gripping ring**



Cap

Bottom

150mm cell culture dish

